

AXIO ACTIV

Owner's Manual

H0566000_REV B



Rainbow Pool Products

PO Box 2388, Mansfield Qld 4122

Telephone STD 61-7-3849 5385

Facsimile STD 61-7-3849 5384

Email: info@rainbowpoolproducts.com.au

Web: www.rainbowpoolproducts.com.au

Important Information

Notice for Vinyl Liner Pools: Before installing your pool cleaner, examine the interior of your pool carefully. If the vinyl liner is brittle or has stones, wrinkles, roots or metal corrosion in contact with the underside of the liner, or has damage to the base material or supporting walls, do not install the cleaner before having a qualified professional perform the necessary repairs or liner replacement. **Zodiac Group Australia Pty Ltd (Zodiac) will not be responsible for liner damage caused by a cleaner which is in disrepair, pattern removal from a vinyl liner, or a cleaner used in a pool having an aged or deteriorated liner.** Please see Limited Warranty.

- Clean the skimmer basket, pump basket and pool filter before installing the cleaner and on a regular basis thereafter.
- Always disconnect the cleaner from the skimmer before cleaning or backwashing the pool filter. After cleaning or backwashing, let the filtration system run for at least five (5) minutes before re-connecting the cleaner.
- Remove the cleaner from the pool before chemical or shock treatments. Wait a minimum of four (4) hours after super chlorination before re-installing the cleaner.



Read owner's manual completely before operating the cleaner.



Remove cleaner before entering the pool.



Do not operate outside of the pool.



Do not let children play with cleaner.



Rainbow Pool Products

PO Box 2388, Mansfield Qld 4122

Telephone STD 61-7-3849 5385

Facsimile STD 61-7-3849 5384

Email: info@rainbowpoolproducts.com.au

Web: www.rainbowpoolproducts.com.au

Introduction

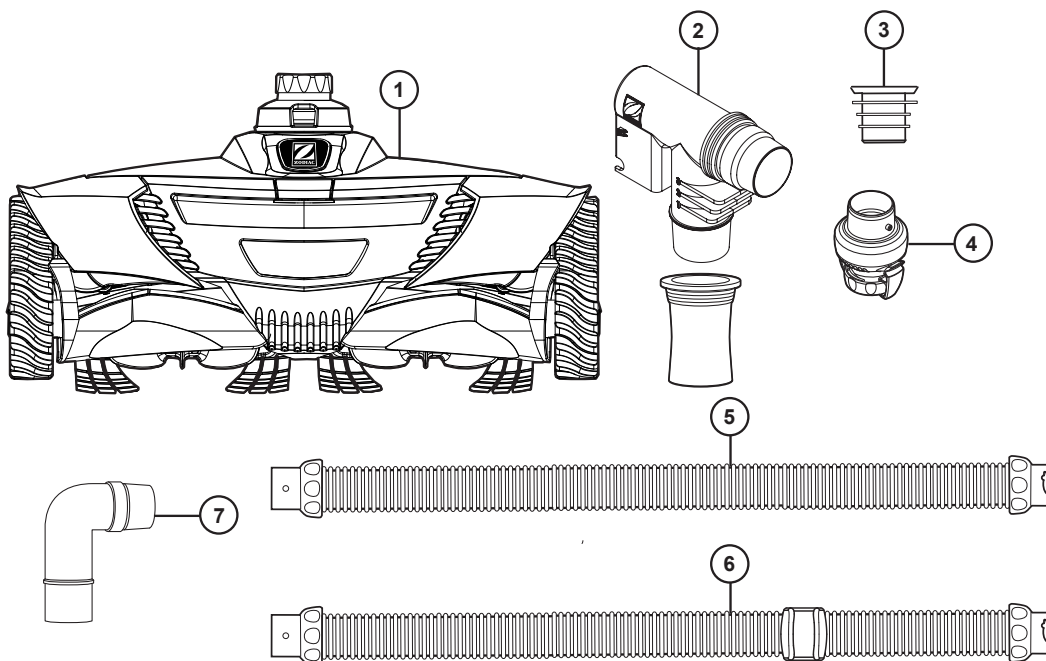
Congratulations on the purchase of your new Zodiac® AX10 Activ automatic pool cleaner. Your Zodiac AX10 Activ is designed and manufactured for easy installation. Before installing the cleaner, please take a few moments to become familiar with its components and to review the items listed under Important Information.

Like most mechanical devices, the Zodiac AX10 Activ requires periodic adjustments, routine maintenance, and the replacement of certain hardworking parts. Be sure to have the Zodiac AX10 Activ checked occasionally by your local Zodiac dealer or service center.

Always insist on genuine Zodiac replacement parts. Non-Zodiac parts are not made to our specifications. They may have an adverse effect on the operation of your Zodiac AX10 Activ or may even damage it.

Zodiac AX10 Activ Complete Cleaner

1. Cleaner Body (1)
2. AD Flow Valve & Connector (1)
3. Universal Weir Cuff (1)
4. Flow Regulator Valve (1)
5. Twist-Lock Hose Section (9)
6. Leader Hose with Float (1)
7. 90 Degree Elbow (1)



Rainbow Pool Products

PO Box 2388, Mansfield Qld 4122

Telephone STD 61-7-3849 5385

Facsimile STD 61-7-3849 5384

Email: info@rainbowpoolproducts.com.au

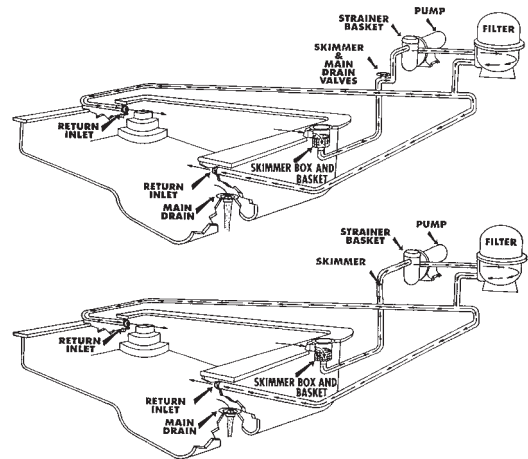
Web: www.rainbowpoolproducts.com.au

Installation

1. Before You Start

For best Zodiac® pool cleaner performance, you will need to follow the following steps of the installation.

1. Following manufacturer's instructions, clean the filter and empty the skimmer and the pump strainer basket.
2. If your main drain is connected to the skimmer box, block off access.
3. Manually vacuum the pool.
4. Ensure circulation system is operating at maximum water flow, or you will need to re-adjust when it comes to clean the filter baskets.
5. Adjust water flow, from all return inlets: -
 - a) downward and toward each other OR
 - b) downward and toward the centre of the pool.

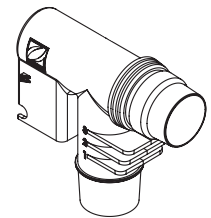


If return inlet directional fittings can't be directed far enough down to prevent water flow affecting the natural movement of the Zodiac hose, you will need to install Zodiac return line diverters. These are available from your local Zodiac dealer.

2. AD Flow Valve

The AD Flow valve works by regulating the flow through the pool cleaner to the pump. As the filter collects debris, the valve will automatically maintain the correct flow.

The installation of the AD Flow valve will depend upon the type of skimmer box and Vac plate you have. It is either installed straight in from the top of the Vac plate or from the bottom of the Vac plate.



See the 4 different cases below.

1st case: with WaterCo® Skimmer Box/Vac Plate

Screw in the AD Flow valve connector into the top of the Vac plate. Screw in all the way then back off one full turn.



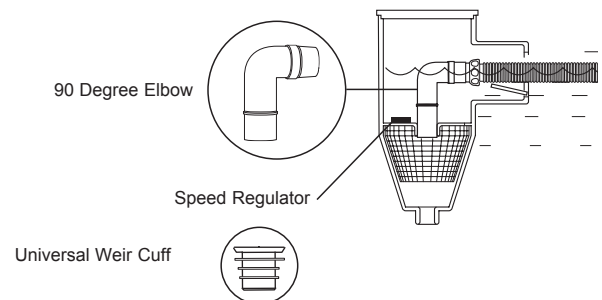
2nd case: with Poolrite® Skimmer Box/Vac Plate

Screw in the AD Flow valve connector into the bottom of the Vac plate. Screw in all the way then back off one full turn.



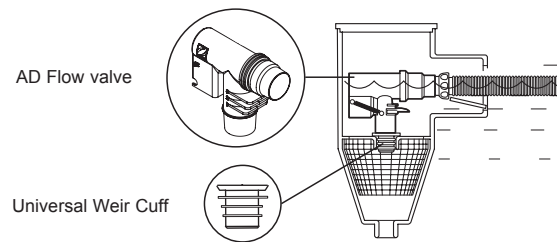
3rd case: with Speed Regulator/Skimtrol® Vac Plate

Simply connect the 90 Degree Elbow into the top of the Vac Plate (use a weir cuff, if necessary).



4th case: with any other type of Skimmer Box and Vac plate

Simply insert the AD Flow valve directly into the universal weir cuff which will then fit into the top of the Vac plate.



Note:

The AD Flow valve has three settings: High (3), Medium (2) and Low (1). To deliver the maximum pool cleaning efficiency, the AD Flow valve comes preset at a factory setting of 2. You will need to adjust the AD Flow valve when and if a problem occurs.

3. Assemble the hose sections

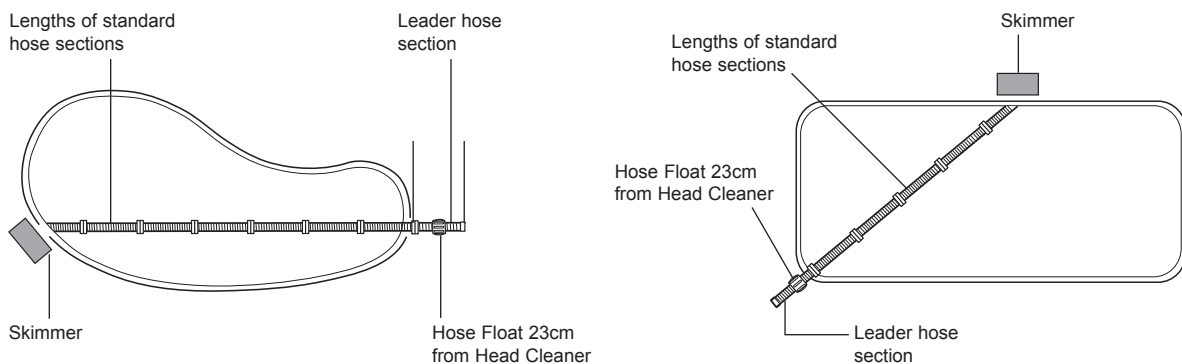


WARNING

To avoid any serious injury, turn off the pool pump before proceeding to this step.

Start to connect one of the standard hose to the skimmer box Vac plate. Then continue adding lengths of standard hose sections until you reach the furthest point of the pool, opposite to the skimmer box. THEN add the leader hose section.

See below examples.



Rainbow Pool Products

PO Box 2388, Mansfield Qld 4122

Telephone STD 61-7-3849 5385

Facsimile STD 61-7-3849 5384

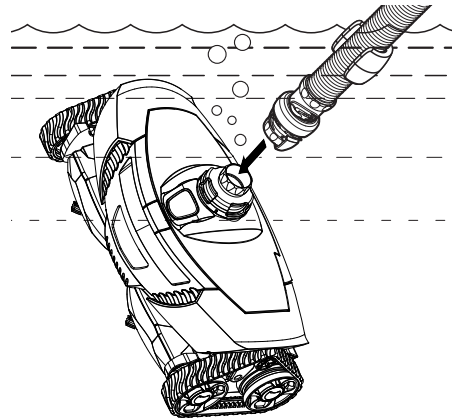
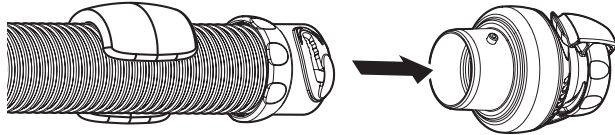
Email: info@rainbowpoolproducts.com.au

Web: www.rainbowpoolproducts.com.au

Installation

4. Connecting Cleaner head to Flow Regulator Valve

1. Remove orange sticker off leader hose
2. Attach the Flow Regulator Valve to the leader hose and connect AX10 Activ cleaner head to the Flow Regulator Valve.

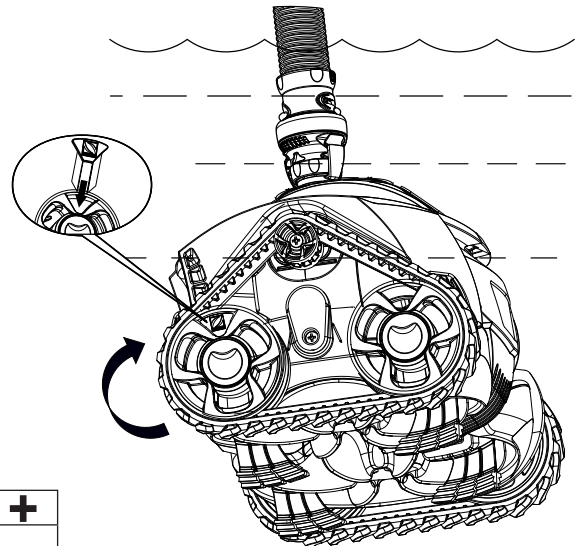
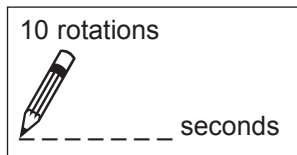


5. Re-connecting to Skimmer Box

1. Temporarily disconnect hose from skimmer, turn on pool filter pump
2. Flood the hose with water, turn off pool filter pump, reconnect hose to skimmer box, then turn pool filter pump back on.

6. Check Cleaner Flow

Watch the yellow wheel marker, use a stopwatch to time ten (10) wheel rotations. Make a note of the result.



IF	Time is ...	Result ...	Adjust Flow ...
	26-50	Poor Performance	Increase Flow +
	20-25		
	10-19	Possible Damage	Decrease Flow -

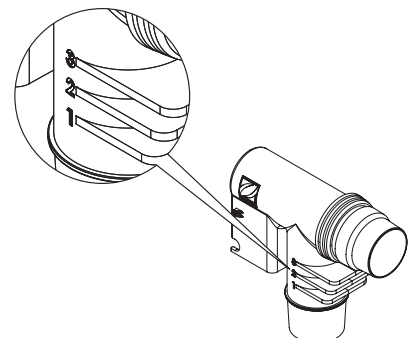
7. Adjust Flow if Necessary, using the AD Flow Valve

The AD Flow Valve has three settings: (1) Low, (2) Medium, and (3) High.

The valve comes with a factory setting of (2).

+ Adjust the AD Flow Valve to setting (3) to increase flow.

- Adjust the AD Flow Valve to setting (1) decrease flow.



Care and Maintenance

The Zodiac® AX10 Activ cleaner cycles on/off with the pool filtration pump, vacuuming and cleaning the pool surface randomly throughout the pool. The climbing ability of the cleaner is dependent on the pool's shape and available water flow. If Zodiac AX10 Activ is not climbing your walls, ensure the flow is correct by counting wheel speed. Also, ensure the pool's surface is not covered in algae as this slippery surface will affect the cleaner's traction.

During each coverage pattern cycle, the AX10 Activ cleaner travels both forward and backwards, and pivots to the right and left. The power scrubbers underneath the cleaner create down force for climbing and stability as well as directing debris into the cleaner mouth.

Removing the cleaner out of your pool

Always turn the filter pump off and disconnect the head of the cleaner from the leader hose section when you take the Zodiac cleaner out of the pool.

Backwashing the Pool Filter

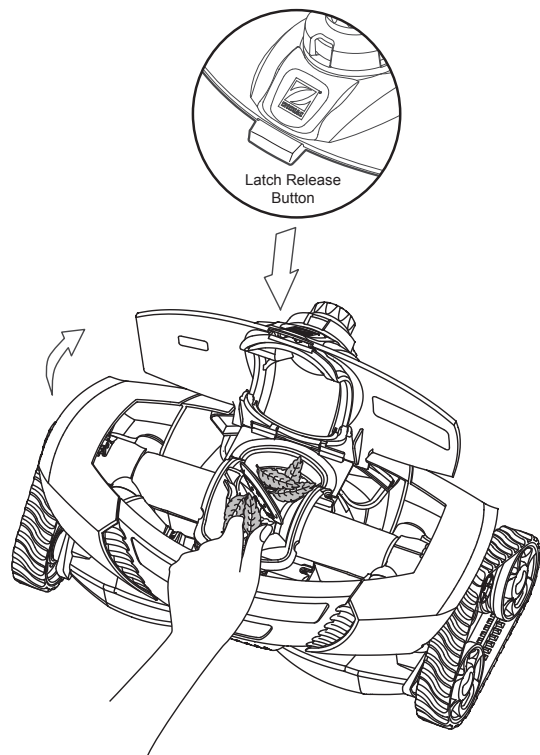
Always disconnect the Zodiac AX10 Activ from the skimmer box before cleaning or backwashing the pool filter. After cleaning or backwashing, let the filtration system run for at least five (5) minutes to flush out the suction lines before re-connecting the cleaner.

Adding Chemicals to the Pool

Remove the cleaner from the pool for at least four (4) hours when adding chemicals.

Removing Debris from Engine

1. Turn off filter pump and remove cleaner from the pool.
2. Push the latch release button on the top of the cleaner.
3. Rotate the top lid assembly back until it clicks into an upward position.
4. Look into engine and remove debris that is present.
5. If needed, slowly push engine paddles forward and/or backwards to move stuck debris to an accessible position then remove it. When moving the engine paddles, make sure the cleaner tracks are allowed to move freely as they will turn as the engine paddles rotate.
6. Close engine top and ensure the latch clicks in place.

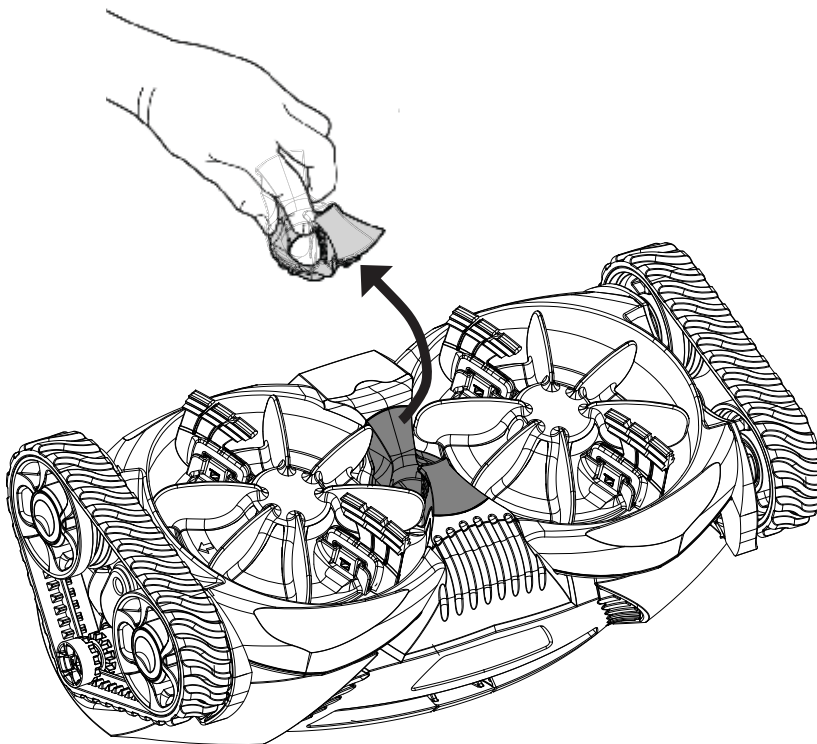


Care and Maintenance

Removing Inlet Throat Adaptor

If you are experiencing high levels of larger debris that clog the throat of the cleaner simply remove the inlet throat adaptor to enhance the size of the AX10 Activ throat inlet, thus allowing larger debris to be picked up by the cleaner.

1. Grasp adaptor as shown, inserting finger into adaptor hole.
2. Remove by lifting up rear edge first.
3. To re-install simply click the front edge first then push rear into place.



Rainbow Pool Products

PO Box 2388, Mansfield Qld 4122

Telephone STD 61-7-3849 5385

Facsimile STD 61-7-3849 5384

Email: info@rainbowpoolproducts.com.au

Web: www.rainbowpoolproducts.com.au

Backwashing the Pool Filter

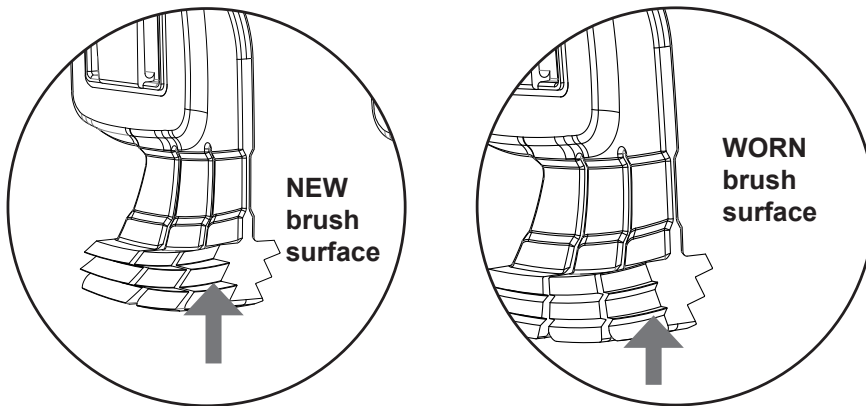
Always disconnect the cleaner from the skimmer box before cleaning or backwashing the pool filter. After cleaning or backwashing, let the filtration system run for at least five (5) minutes to flush out the suction lines before re-connecting the cleaner.

Adding Chemicals

Remove the cleaner from the pool for at least four (4) hours when adding chemicals.

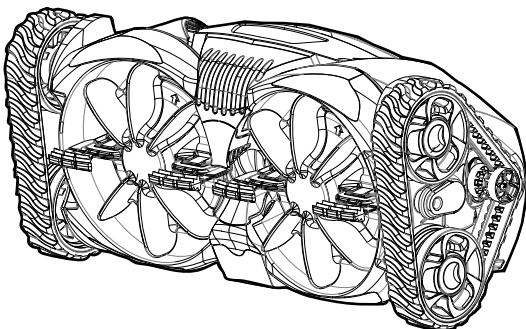
Replacing Brushes Regularly

To maintain optimal cleaning, it is recommended to replace the scrubbing brushes each season or when significant wear is visible. To remove brushes, squeeze the yellow plastic clip between two fingers and pull out. Type of pool surface may also increase rate of wear to brushes.



Everyday Storing

Never store the cleaner in direct sunlight. Always remove the hose from the cleaner head. Do not coil the hose, even for short time. Hose may develop a memory which can affect cleaner performance. Store the cleaner on its side or back to avoid damage to the turbine and brushes.



Rainbow Pool Products

PO Box 2388, Mansfield Qld 4122

Telephone STD 61-7-3849 5385

Facsimile STD 61-7-3849 5384

Email: info@rainbowpoolproducts.com.au

Web: www.rainbowpoolproducts.com.au

Troubleshooting

If you experience a problem with your Zodiac® AX10 Activ, please follow the troubleshooting steps below to restore performance. If further assistance is required, contact Zodiac Technical Support Department at 1300 763 021. Please have your serial number and date of purchase available when you call.

Problem	Solution
Cleaner does not move or moves slowly (+25 seconds for 10 wheel revolutions)	<ul style="list-style-type: none">• Count Wheel Revolutions, flow may need to be adjusted via AD Valve/Skimtrol plate.• Confirm that the main drain is closed.• Check for debris jammed in engine. Backwash filter and empty pump basket.• Remove yellow inlet adaptor located at the bottom of the pool cleaner. Refer to Care & Maintenance, 'Removing inlet throat adaptor'.• Check for air in system. If water level in pump basket drops or you see excessive air bubbles in the pump basket or coming from the return lines, there is air in the system. Tighten all fittings at pump.
Cleaner patterns, does not cover entire pool.	<ul style="list-style-type: none">• Count Wheel Revolutions, flow may need to be adjusted via AD Valve/Skimtrol® plate.• Ensure return fittings are directed down. Add a return diverter if necessary.• Make sure hose is not kinked or coiled. Lay in sun to straighten if necessary.• Verify correct hose float positioning on the leader hose.• Observe the cleaner for more than five (5) minutes and ensure that each drive track is periodically reversing. If it is not, contact your dealer or service center for help.• Confirm proper hose length.
Cleaner gets stuck at steps.	<ul style="list-style-type: none">• Observe the cleaner for more than five (5) minutes and ensure that each drive track is periodically reversing. If it is not, contact your dealer or service center for help.• Ensure the swivel on top of the cleaner rotates freely.• Count Wheel Revolutions, flow may need to be adjusted via AD Valve/Skimtrol plate.• Confirm proper hose length. Shorten if necessary.• Adjust return to pool eyeball to help move the cleaner off the step.
Cleaner won't climb walls.	<ul style="list-style-type: none">• Count Wheel Revolutions, flow may need to be adjusted via AD Valve/Skimtrol plate.• Verify correct hose float positioning on the leader hose.• Check and confirm water chemistry is within correct readings. Adjust as required. If pool has algae, treat and remove algae.
Cleaner climbs too much (-18 seconds for 10 wheel revolutions)	<ul style="list-style-type: none">• Count Wheel Revolutions, flow may need to be adjusted via AD Valve/Skimtrol plate.• Verify correct hose float positioning on the leader hose.